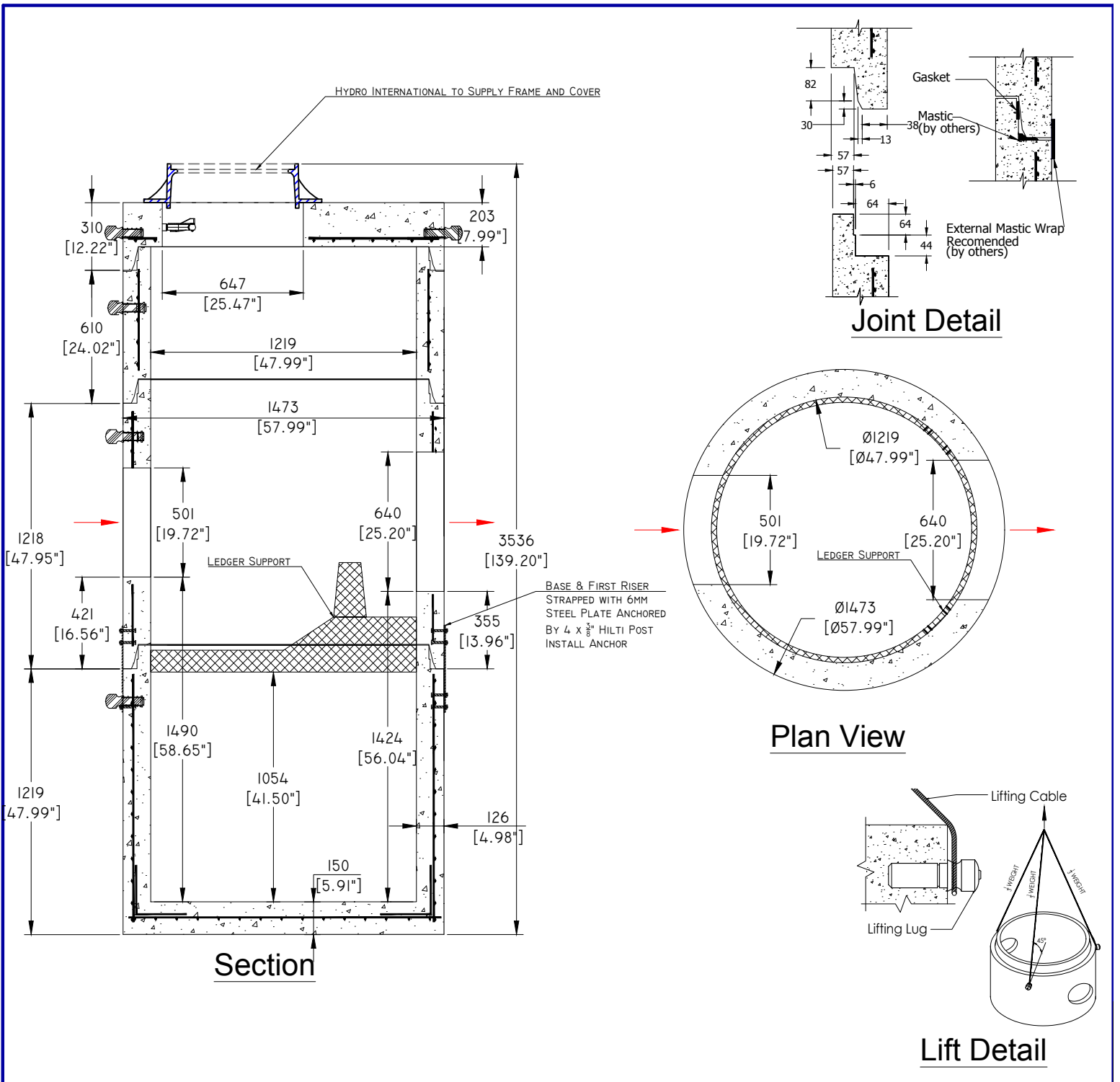


Specification and General Notes:

1. Manhole design/manufacture to ASTM C478M & CSA A257.3 Specification.
2. Concrete testing to ASTM C497/CSA 23.1 & 2-09.
3. Min. concrete compressive strength 30 MPa with Max. W/C ratio of 0.5.
4. Gasket to ASTM C-443 specification (by others).
5. Concrete cover to be Min.25mm.
6. All dimensions to be millimeter.
7. Welded wire mesh overlap to be 300mm.
8. Manhole design and construction to MMCD manhole specification section 02725.
9. Manufacturing tolerance to be +/- 5mm.
10. Concrete Exposure Class to be A-3.
11. Min. Stripping Strength to be 15MPa.
12. All Form Finish to be Standard Grade.
13. All Unformed Finish to be Steel Trowelled Finish or Wood Float Finish.
14. Lifting cable and accessories to meet the strength requirement in lifting detail.
15. Hoisting and Rigging system to meet WORK SAFE BC OHS Regulation Guideline Part 14/15
16. Bell and Gaskets for lateral pipe connections per ASTM C-923

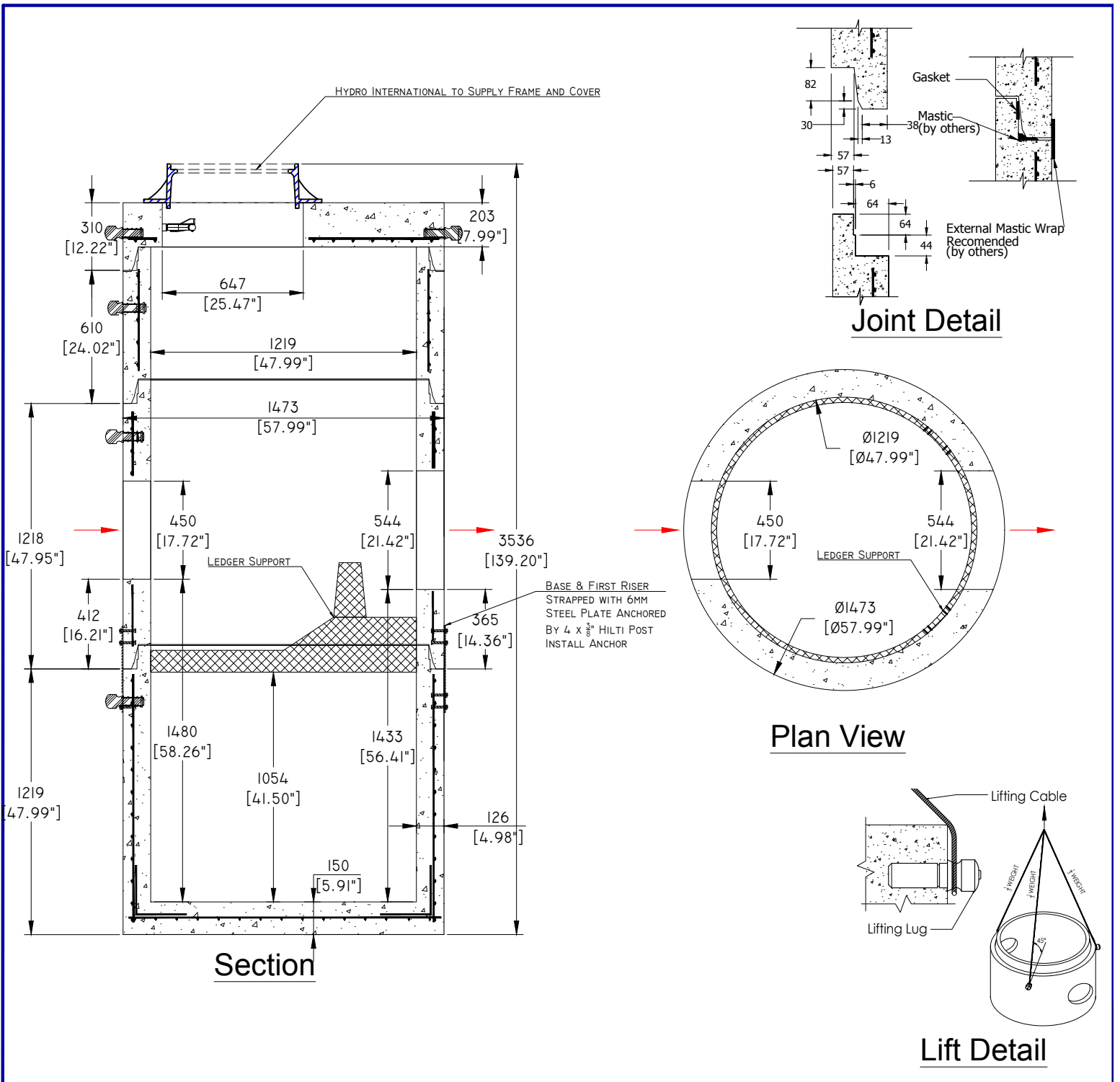
	Description:	Drawn :	Date :	Catalog No.
	Manhole DMH 2	S.d.	18/07/2017	
	Hydro International	Approved :	Load Rating:	N/A
Project: Campbell Heights		Rev. No. 1	Scale : 1:25	DMH2
7520 Conrad Street Burnaby, B.C. V5A 2H7 Phone : 604-415-5181 Fax : 604-415-5185 www: diamondconcrete.ca		This drawing is the property of the Diamond Precast Concrete. All information contained herein is confidential and may not be used in whole or in part without written permission from the owner		Sheet No. 1 OF 1



Specification and General Notes:

1. Manhole design/manufacture to ASTM C478M & CSA A257.3 Specification.
2. Concrete testing to ASTM C497/CSA 23.1 & 2-09.
3. Min. concrete compressive strength 30 MPa with Max. W/C ratio of 0.5.
4. Gasket to ASTM C-443 specification (by others).
5. Concrete cover to be Min.25mm.
6. All dimensions to be millimeter.
7. Welded wire mesh overlap to be 300mm.
8. Manhole design and construction to MMCD manhole specification section 02725.
9. Manufacturing tolerance to be +/- 5mm.
10. Concrete Exposure Class to be A-3.
11. Min. Stripping Strength to be 15MPa.
12. All Form Finish to be Standard Grade.
13. All Unformed Finish to be Steel Trowelled Finish or Wood Float Finish.
14. Lifting cable and accessories to meet the strength requirement in lifting detail.
15. Hoisting and Rigging system to meet WORK SAFE BC OHS Regulation Guideline Part 14/15
16. Bell and Gaskets for lateral pipe connections per ASTM C-923

	Description:	Drawn :	Date :	Catalog No.
	Manhole DMH 5	S.d.	18/07/2017	
	Hydro International	Approved :	Load Rating:	N/A
Project: Campbell Heights		Rev. No. 1	Scale : 1:25	DMH5
7520 Conrad Street Burnaby, B.C. V5A 2H7 Phone : 604-415-5181 Fax : 604-415-5185 www: diamondconcrete.ca		This drawing is the property of the Diamond Precast Concrete. All information contained herein is confidential and may not be used in whole or in part without written permission from the owner		Sheet No. 1 OF 1

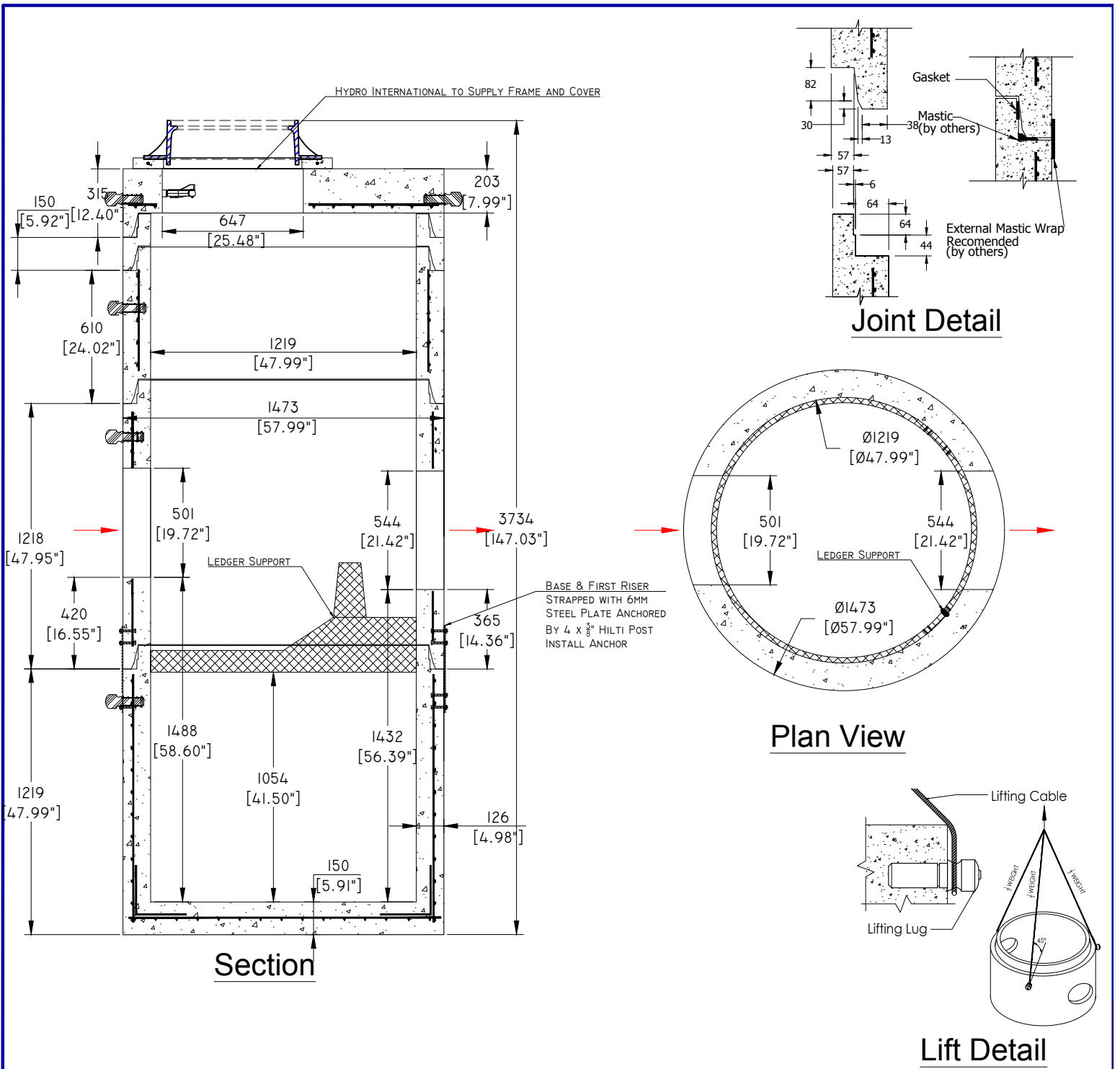


Specification and General Notes:

1. Manhole design/manufacture to ASTM C478M & CSA A257.3 Specification.
2. Concrete testing to ASTM C497/CSA 23.1 & 2-09.
3. Min. concrete compressive strength 30 MPa with Max. W/C ratio of 0.5.
4. Gasket to ASTM C-443 specification (by others).
5. Concrete cover to be Min.25mm.
6. All dimensions to be millimeter.
7. Welded wire mesh overlap to be 300mm.
8. Manhole design and construction to MMCD manhole specification section 02725.
9. Manufacturing tolerance to be +/- 5mm.
10. Concrete Exposure Class to be A-3.
11. Min. Stripping Strength to be 15MPa.
12. All Form Finish to be Standard Grade.
13. All Unformed Finish to be Steel Trowelled Finish or Wood Float Finish.
14. Lifting cable and accessories to meet the strength requirement in lifting detail.
15. Hoisting and Rigging system to meet WORK SAFE BC OHS Regulation Guideline Part 14/15
16. Bell and Gaskets for lateral pipe connections per ASTM C-923

	Description: Manhole DMH 8 Hydro International	Drawn : S.d. Date : 18/07/2017	Catalog No. Dwg. No. DMH8
	Project: Campbell Heights	Approved : Load Rating: N/A	
	7520 Conrad Street Burnaby, B.C. V5A 2H7 Phone : 604-415-5181 Fax : 604-415-5185 www: diamondconcrete.ca	Rev. No. 1 Scale : 1:25	Sheet No. 1 OF 1

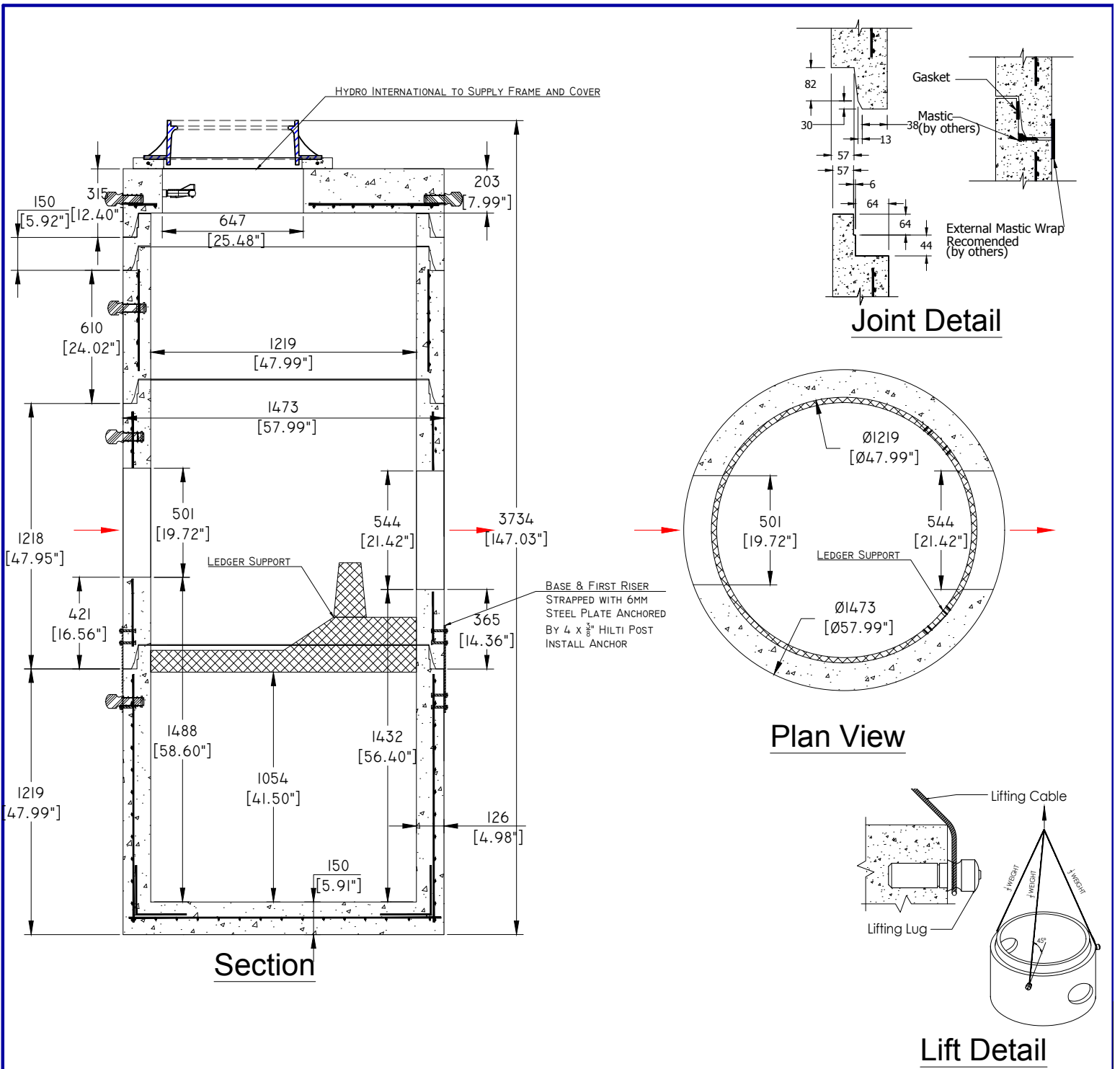
This drawing is the property of the Diamond Precast Concrete. All information contained herein is confidential and may not be used in whole or in part without written permission from the owner



Specification and General Notes:

1. Manhole design/manufacture to ASTM C478M & CSA A257.3 Specification.
2. Concrete testing to ASTM C497/CSA 23.1 & 2-09.
3. Min. concrete compressive strength 30 MPa with Max. W/C ratio of 0.5.
4. Gasket to ASTM C-443 specification (by others).
5. Concrete cover to be Min.25mm.
6. All dimensions to be millimeter.
7. Welded wire mesh overlap to be 300mm.
8. Manhole design and construction to MMCD manhole specification section 02725.
9. Manufacturing tolerance to be +/- 5mm.
10. Concrete Exposure Class to be A-3.
11. Min. Stripping Strength to be 15MPa.
12. All Form Finish to be Standard Grade.
13. All Unformed Finish to be Steel Trowelled Finish or Wood Float Finish.
14. Lifting cable and accessories to meet the strength requirement in lifting detail.
15. Hoisting and Rigging system to meet WORK SAFE BC OHS Regulation Guideline Part 14/15
16. Bell and Gaskets for lateral pipe connections per ASTM C-923

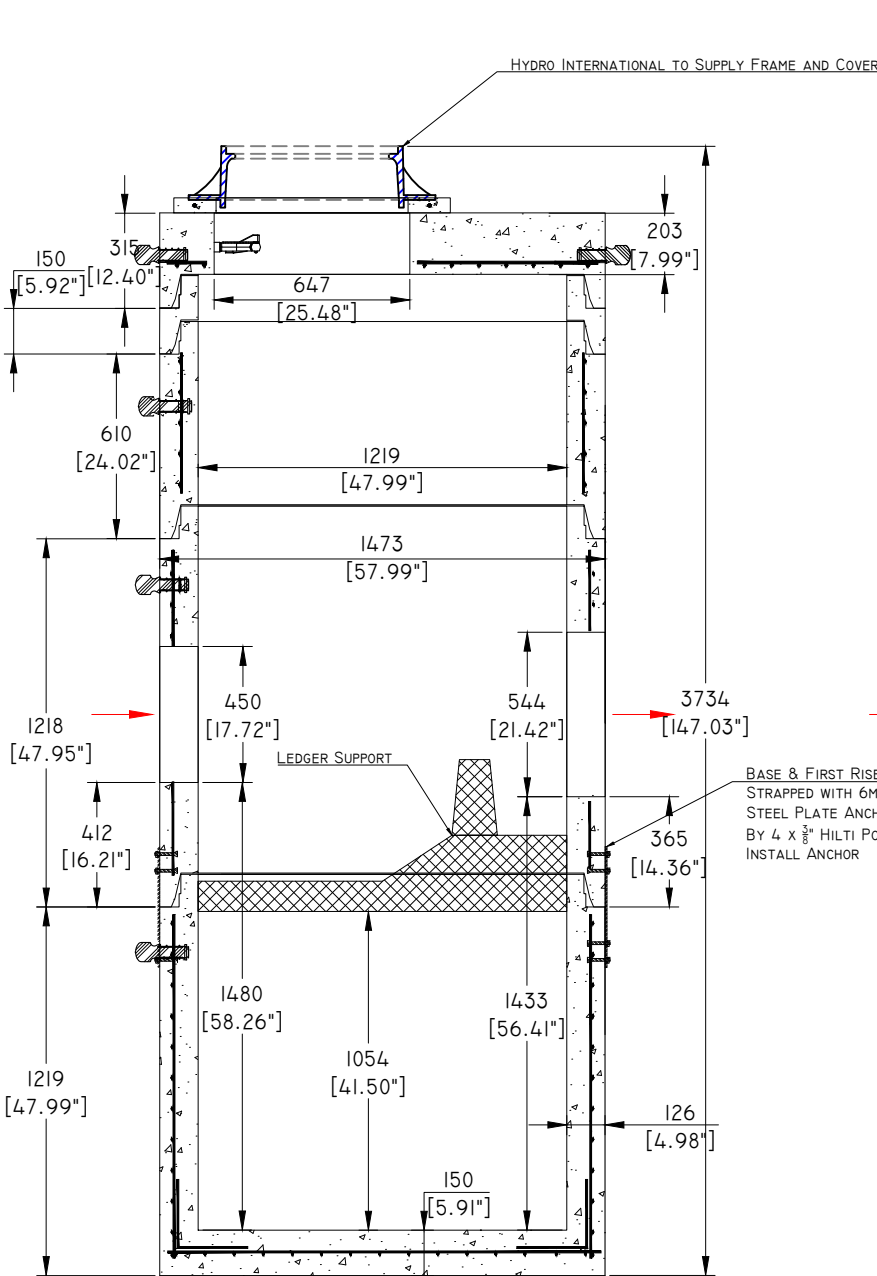
	Description:	Drawn :	Date :	Catalog No.
	Manhole DMH 11	S.d.	18/07/2017	
	Hydro International	Approved :	Load Rating:	N/A
Project: Campbell Heights		Rev. No. 1	Scale : 1:25	DMH11
7520 Conrad Street Burnaby, B.C. V5A 2H7 Phone : 604-415-5181 Fax : 604-415-5185 www: diamondconcrete.ca		This drawing is the property of the Diamond Precast Concrete. All information contained herein is confidential and may not be used in whole or in part without written permission from the owner		Sheet No. 1 OF 1



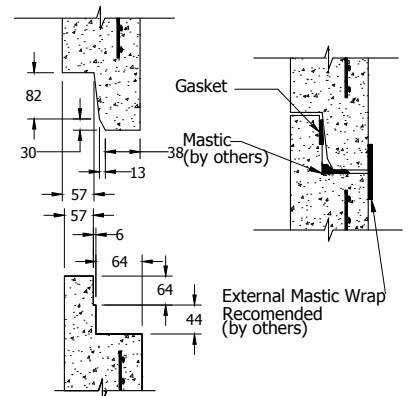
Specification and General Notes:

1. Manhole design/manufacture to ASTM C478M & CSA A257.3 Specification.
2. Concrete testing to ASTM C497/CSA 23.1 & 2-09.
3. Min. concrete compressive strength 30 MPa with Max. W/C ratio of 0.5.
4. Gasket to ASTM C-443 specification (by others).
5. Concrete cover to be Min.25mm.
6. All dimensions to be millimeter.
7. Welded wire mesh overlap to be 300mm.
8. Manhole design and construction to MMCD manhole specification section 02725.
9. Manufacturing tolerance to be +/- 5mm.
10. Concrete Exposure Class to be A-3.
11. Min. Stripping Strength to be 15MPa.
12. All Form Finish to be Standard Grade.
13. All Unformed Finish to be Steel Trowelled Finish or Wood Float Finish.
14. Lifting cable and accessories to meet the strength requirement in lifting detail.
15. Hoisting and Rigging system to meet WORK SAFE BC OHS Regulation Guideline Part 14/15
16. Bell and Gaskets for lateral pipe connections per ASTM C-923

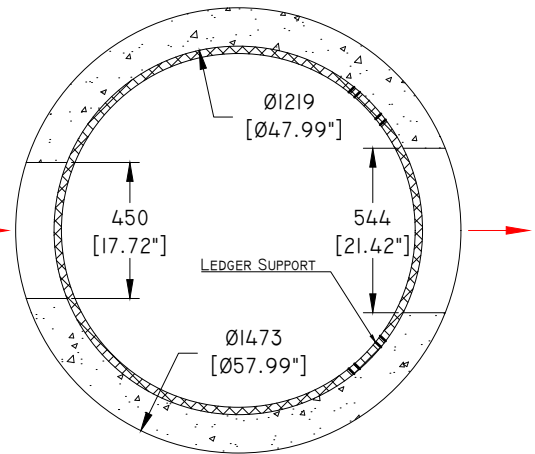
	Description:	Drawn :	Date :	Catalog No.
	Manhole DMH 14	S.d.	18/07/2017	
	Hydro International	Approved :	Load Rating:	N/A
Project: Campbell Heights		Rev. No. 1	Scale : 1:25	DMH14
7520 Conrad Street Burnaby, B.C. V5A 2H7 Phone : 604-415-5181 Fax : 604-415-5185 www: diamondconcrete.ca		This drawing is the property of the Diamond Precast Concrete. All information contained herein is confidential and may not be used in whole or in part without written permission from the owner		Sheet No. 1 OF 1



Section

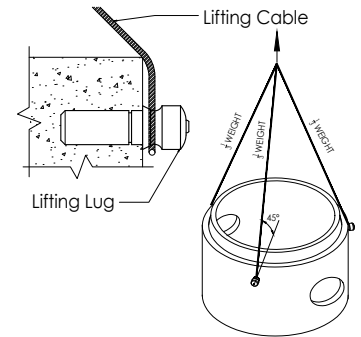


Joint Detail



Plan View

BASE & FIRST RISER STRAPPED WITH 6MM STEEL PLATE ANCHORED BY 4 X 3/8" HILTI POST INSTALL ANCHOR



Lift Detail

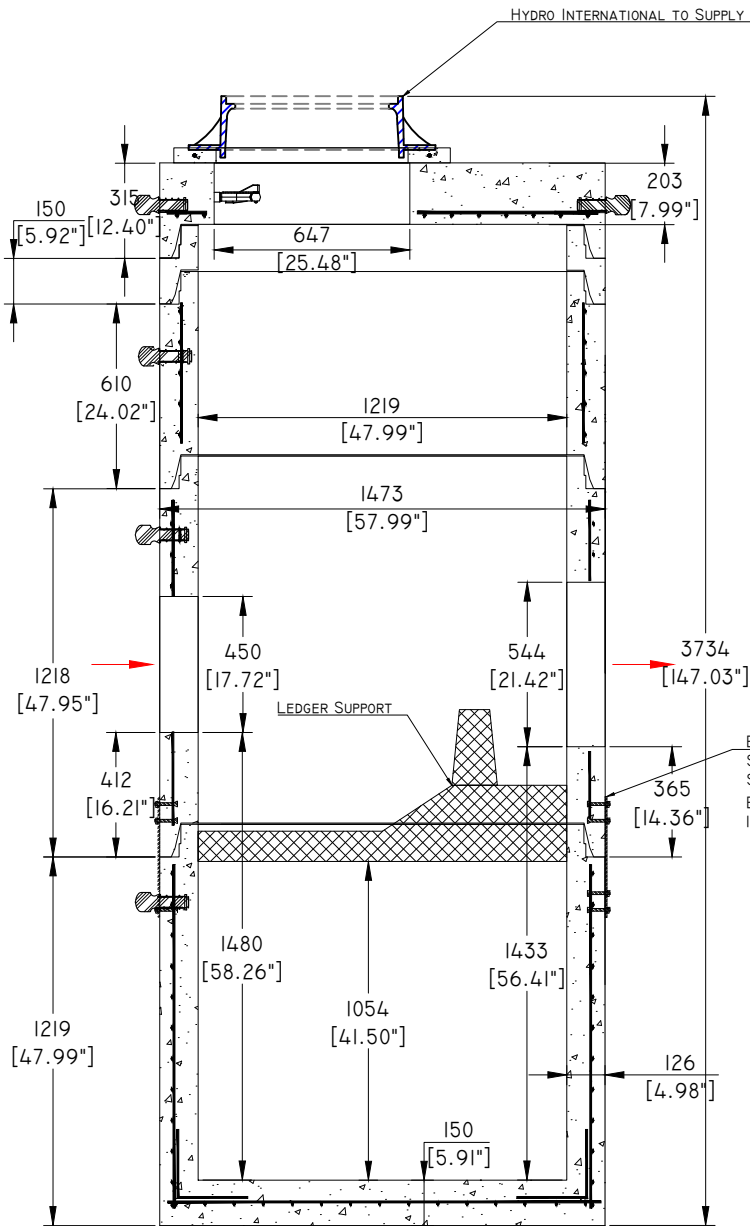
Specification and General Notes:

1. Manhole design/manufacture to ASTM C478M & CSA A257.3 Specification.
2. Concrete testing to ASTM C497/CSA 23.1 & 2-09.
3. Min. concrete compressive strength 30 MPa with Max. W/C ratio of 0.5.
4. Gasket to ASTM C-443 specification (by others).
5. Concrete cover to be Min.25mm.
6. All dimensions to be millimeter.
7. Welded wire mesh overlap to be 300mm.
8. Manhole design and construction to MMCD manhole specification section 02725.
9. Manufacturing tolerance to be +/- 5mm.
10. Concrete Exposure Class to be A-3.
11. Min. Stripping Strength to be 15MPa.
12. All Form Finish to be Standard Grade.
13. All Unformed Finish to be Steel Trowelled Finish or Wood Float Finish.
14. Lifting cable and accessories to meet the strength requirement in lifting detail.
15. Hoisting and Rigging system to meet WORK SAFE BC OHS Regulation Guideline Part 14/15
16. Bell and Gaskets for lateral pipe connections per ASTM C-923

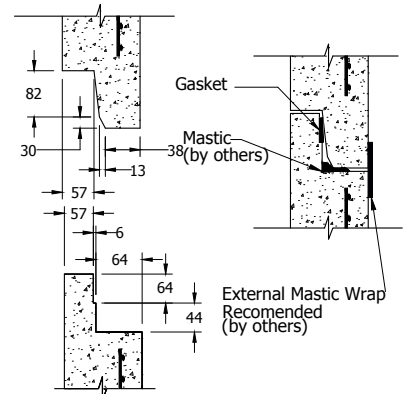


Description:	Manhole DMH 17	Drawn : S.d.	Date : 18/07/2017	Catalog No.
	Hydro International	Approved :	Load Rating: N/A	
	Project: Campbell Heights		Rev. No. 1	Scale : 1:25

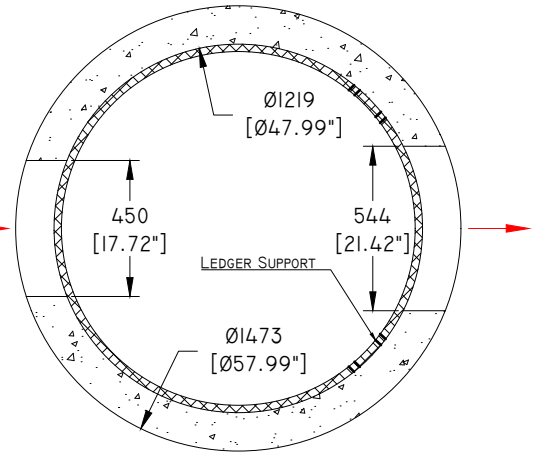
This drawing is the property of the Diamond Precast Concrete. All information contained herein is confidential and may not be used in whole or in part without written permission from the owner		Sheet No. 1 OF 1
--	--	---------------------



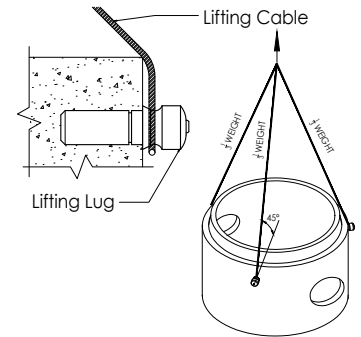
Section



Joint Detail



Plan View



Lift Detail

Specification and General Notes:

1. Manhole design/manufacture to ASTM C478M & CSA A257.3 Specification.
2. Concrete testing to ASTM C497/CSA 23.1 & 2-09.
3. Min. concrete compressive strength 30 MPa with Max. W/C ratio of 0.5.
4. Gasket to ASTM C-443 specification (by others).
5. Concrete cover to be Min.25mm.
6. All dimensions to be millimeter.
7. Welded wire mesh overlap to be 300mm.
8. Manhole design and construction to MMCD manhole specification section 02725.
9. Manufacturing tolerance to be +/- 5mm.
10. Concrete Exposure Class to be A-3.
11. Min. Stripping Strength to be 15MPa.
12. All Form Finish to be Standard Grade.
13. All Unformed Finish to be Steel Trowelled Finish or Wood Float Finish.
14. Lifting cable and accessories to meet the strength requirement in lifting detail.
15. Hoisting and Rigging system to meet WORK SAFE BC OHS Regulation Guideline Part 14/15
16. Bell and Gaskets for lateral pipe connections per ASTM C-923



Description:	Manhole DMH 21	Drawn : S.d.	Date : 18/07/2017	Catalog No.
	Hydro International	Approved :	Load Rating: N/A	
	Project: Campbell Heights		Rev. No. 1	Scale : 1:25

This drawing is the property of the Diamond Precast Concrete. All information contained herein is confidential and may not be used in whole or in part without written permission from the owner		Sheet No. 1 OF 1
--	--	------------------