

WEEKLY PROJECT PROFILE

MAY 18, 2017



PRIMARY CONTAINMENT
5mm 316 STAINLESS STEEL



SECONDARY CONTAINMENT
5mm POLYPROPYLENE CORPROTECT



TERTIARY CONTAINMENT
CSA CERTIFIED PRECAST CONCRETE

TRIPLE CONTAINMENT 1500MM PRECAST MH

Containment Structure for High Temperature Process Fluids in Petroleum Refinery

Contractor: Brymark Installations Group (Port Coquitlam, BC)

Engineer: CALC Engineering (Calgary, AB)



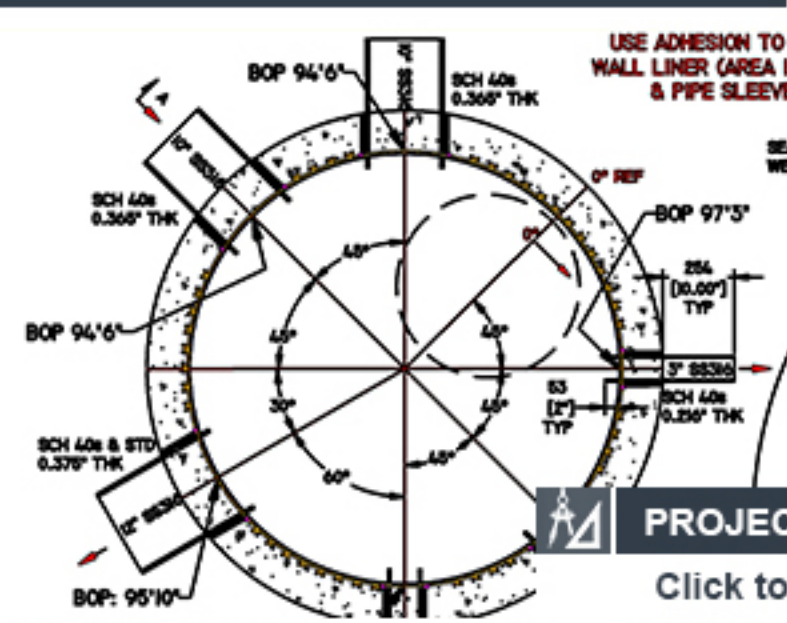
LINER MANUFACTURING

[Click to Enlarge](#)

5mm PP ENCLOSED SS LINER

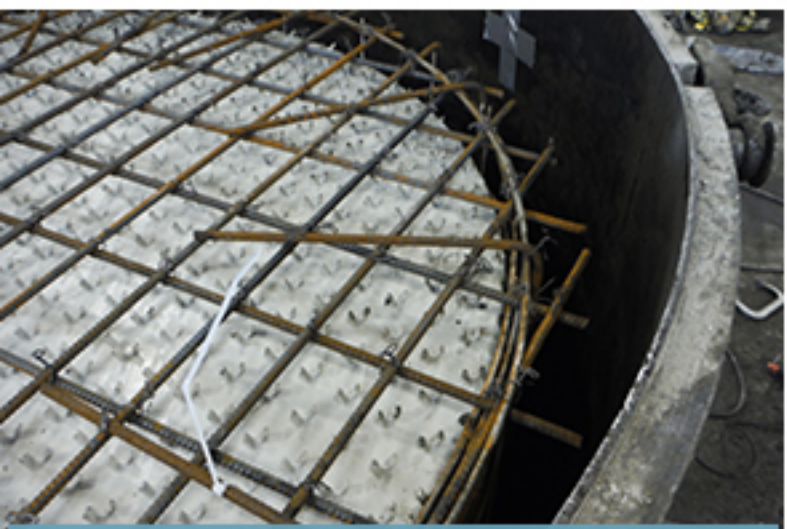
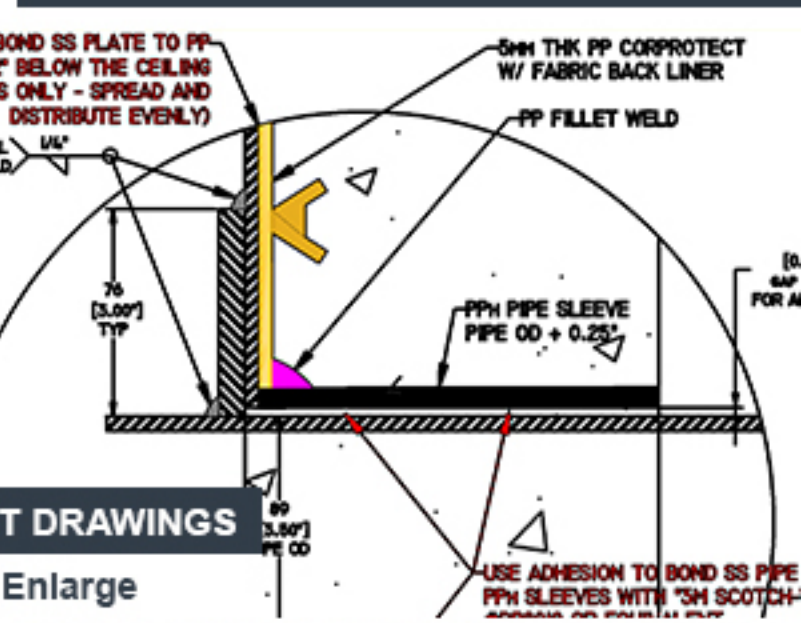


STEEL REINFORCEMENTS



PROJECT DRAWINGS

[Click to Enlarge](#)



SETUP PRIOR TO POURING



SETUP PRIOR TO POURING



CONCRETE POURING



BONDING OF PP SLEEVE TO SS PIPE



SS PIPE PENETRATION WELDING



OUTSIDE FINISHING OF SS PIPE



4mm 316 STAINLESS STEEL INNER LINER



PP LINED ECCENTRIC DONUT LID

 **WEEKLY NEWSLETTERS**
Our Latest News

 **COMPLETE CAPABILITIES**
About Us

info@diamondprecast.com | diamondprecast.com |  |  | 1.604.415.5181

Diamond Precast Concrete & Municipal Castings