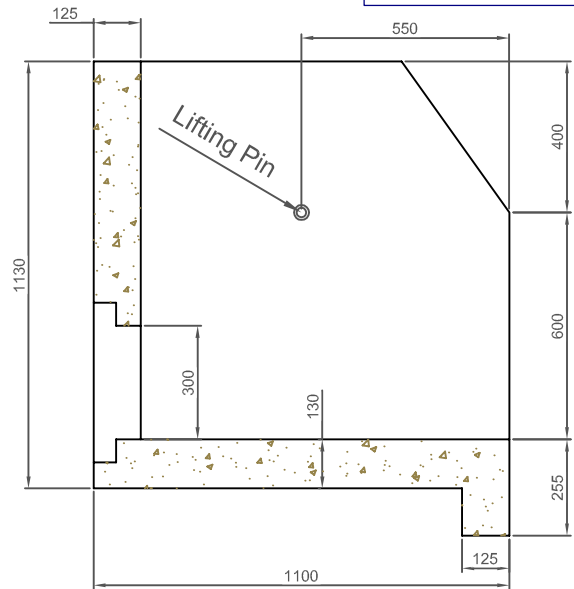
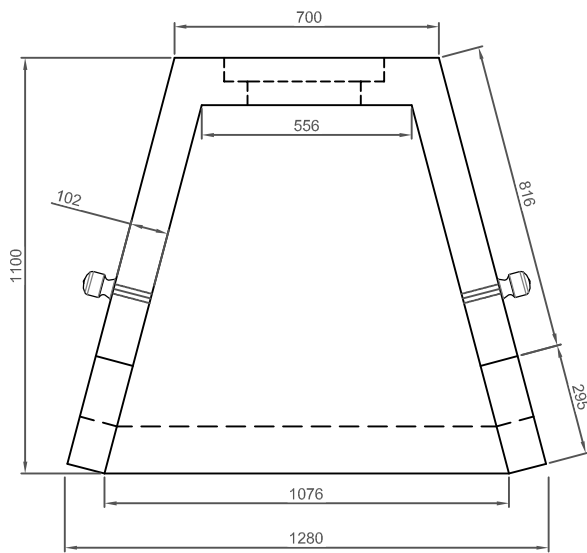


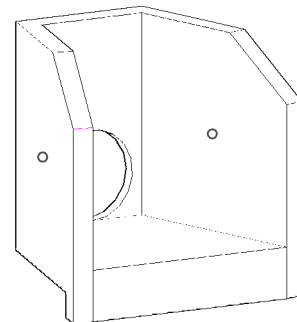
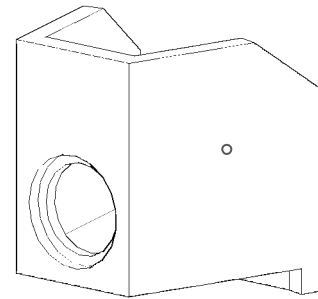
FORNT VIEW 1:20



SECTION A-A 1:20



PLAN VIEW 1:20



3D VIEW

Specification and General Notes:

1. Manhole design/manufacture to & CSA A23.4 Specification.
2. Concrete testing to current version of ASTM C497/CSA 23.1 & 2.
3. Min. concrete compressive strength 30 MPa with Max. W/C ratio of 0.5.
4. Concrete cover to be Min. 25mm.
5. All dimensions to be millimeter.
6. Manufacturing tolerance to be +/- 5mm.
7. Concrete Exposure Class to be A-3.
8. Min. Stripping Strength to be 15MPa.
9. All Form Finish to be Standard Grade.
10. All Unformed Finish to be Steel Trowelled Finish or Wood Float Finish.



Description:

TYPE II HEADWALL

TYPE II HEADWALL# 2230

Project:

Drawn :

D.L.

Date :

30/07/2018

Catalog No.

HWII-300

Approved :

V.W.

Load Rating:

N/A

Dwg. No.

HWII-300-1

Rev. No.

A

Scale :

As Shown

Sheet No.

1 OF 2