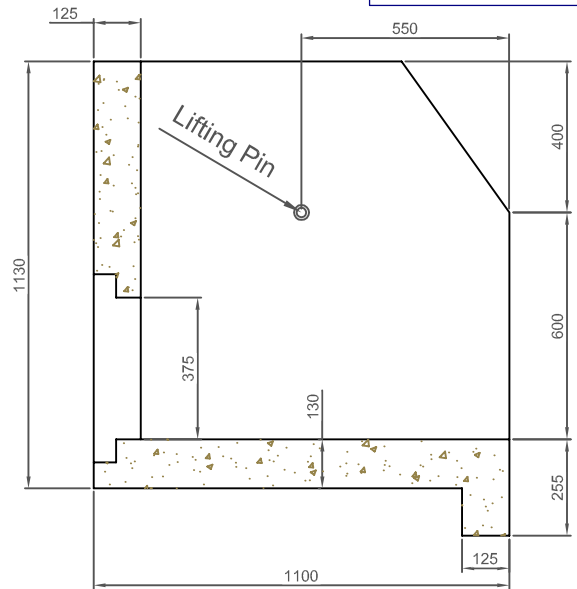
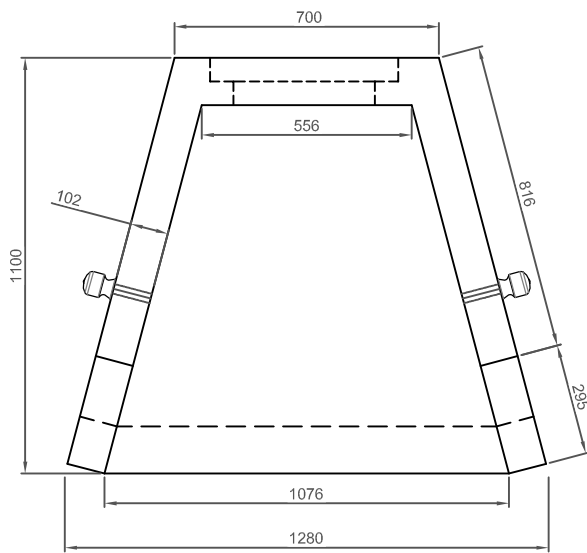


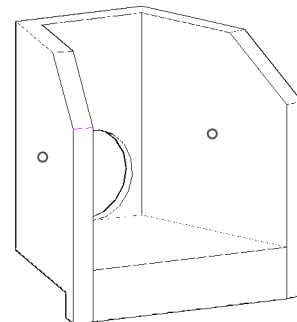
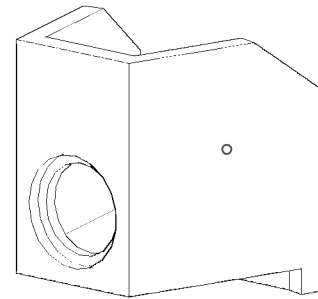
**FORNT VIEW 1:20**



**SECTION A-A 1:20**



**PLAN VIEW 1:20**



**3D VIEW**

**Specification and General Notes:**

1. Manhole design/manufacture to & CSA A23.4 Specification.
2. Concrete testing to current version of ASTM C497/CSA 23.1 & 2.
3. Min. concrete compressive strength 30 MPa with Max. W/C ratio of 0.5.
4. Concrete cover to be Min. 25mm.
5. All dimensions to be millimeter.
6. Manufacturing tolerance to be +/- 5mm.
7. Concrete Exposure Class to be A-3.
8. Min. Stripping Strength to be 15MPa.
9. All Form Finish to be Standard Grade.
10. All Unformed Finish to be Steel Trowelled Finish or Wood Float Finish.



Description:

**TYPE II HEADWALL**

TYPE II HEADWALL# 2200

Project:

Drawn :

D.L.

Date :

30/07/2018

Catalog No.

**HWII-375**

Approved :

V.W.

Load Rating:

N/A

Dwg. No.

**HWII-375-1**

Rev. No.

A

Scale :

As Shown

Sheet No.

1 OF 2